

Product Highlights

Full HD Resolution

1080P high resolution images ensure that you capture all the details you need

Remote Monitoring

Monitor your business over the Internet, or through the included D-ViewCam™ software

High-Quality Video Feeds

Real-time video compression with H.264, MPEG-4, and MJPEG codecs for distribution and recording of high definition video



DCS-2210

Full HD PoE Day/Night Network Camera

Features

High Definition Video

- 1/2.7" 2 megapixel progressive scan CMOS sensor
- Fixed 4.37 mm, F 2.0 fixed lens
- HD resolution (1920 x 1080)
- H.264, MPEG-4 and Motion JPEG compression
- Built-in PIR (passive infrared) sensor for motion detection
- Built-in removable IR-cut filter for day/night surveillance
- Built-in IR LED to support dark environments with 0 lux illumination
- ePTZ for virtual PTZ operation
- Multi-stream support
- Privacy mask
- Motion detection

Security and Flexibility

- Motion detection
- Two-way audio support
- Built-in microphone
- Advanced event management
- HTTPS secured streaming
- 3GPP mobile surveillance

Connectivity

- 10/100 Fast Ethernet port with PoE
- MicroSD/SDHC card slot for onboard storage

The D-Link DCS-2210 is a versatile surveillance solution that is perfect for monitoring low-light environments in your home or small office. It combines a high-resolution 2 megapixel sensor with a built-in IR LED to help you keep watch over areas in complete darkness. The DCS-2210 also includes a built-in IR cut filter, making it suitable for both day and night applications. Additionally, the DCS-2210 is a complete system with a built-in CPU and web server that transmits high quality video images for security and surveillance. Simple installation and an intuitive web-based interface offer easy integration with your Ethernet network. The DCS-2210 also comes with remote monitoring and motion detection features for a complete and cost-effective home security solution..

ePTZ For Surveying Regions Of Interest

The ePTZ feature allows users to select a target region for close-up viewing simply by clicking on the video feed displayed within their browser. ePTZ makes use of the camera's 2 megapixel resolution to survey a large area effortlessly. Since ePTZ requires no moving parts, there is no need to worry about the camera having mechanical failures, due to its fixed 6 mm lens.

Easy To Configure And Operate

This network camera supports the Universal Plug-n-Play feature, which allows computers running on Windows XP/Vista/7 to automatically recognize the camera and add it to the network. Sign up with one of the free Dynamic DNS services available on the web to assign a name and domain to the camera (e.g. mycamera.dlinkddns.com), and remotely access the camera without having to remember your IP address.

D-ViewCam™ for Management

The included D-Link D-ViewCam™ is sophisticated software which allows users to manage up to 32 network cameras, set e-mail alert notifications, create recording schedules, and use motion detection to directly record important events to a hard drive. D-ViewCam™ also allows users to upload a floor plan to create a realistic layout of the premises where cameras are located, further simplifying the management process.

Open Network Video Interface Forum (ONVIF) Compliant

ONVIF is an open industry forum for the development of a global standard for the interface of IP based physical security products. ONVIF identifies a standard for how IP products within video surveillance and other physical security areas can communicate with each other ensuring interoperability between products regardless of brand. The DCS-2210 is ONVIF compliant and therefore interoperable with other manufacturer's products on the same network such as cameras, storage systems, video analytics products and Video Management Systems.



If the worst should happen to your network you need the very best support and fast. Downtime costs your business money. D-Link Assist maximises your uptime by solving technical problems quickly and effectively. Our highly trained technicians are on standby around the clock, ensuring that award-winning support is only a phone call away.

With a choice of three affordable service offerings covering all D-Link business products, you can select the package that suits you best:

D-Link Assist Gold - for comprehensive 24-hour support

D-Link Assist Gold is perfect for mission-critical environments where maximum uptime is a high priority. It guarantees four hour around-the-clock response. Cover applies 24/7 for every day of the year including holidays.

D-Link Assist Silver - for prompt same-day assistance

D-Link Assist Silver is designed for 'high availability' businesses that require rapid response within regular working hours. It provides a four hour response service Monday to Friday from 8am to 5pm, excluding holidays.

D-Link Assist Bronze - for guaranteed response on the next business day

D-Link Assist Bronze is a highly cost-effective support solution for less critical environments. Response is guaranteed within eight business hours Monday to Friday from 8am to 5pm, excluding holidays.

D-Link Assist can be purchased together with any D-Link business product. So whether you're buying switching, wireless, storage, security or IP Surveillance equipment from D-Link, your peace of mind is guaranteed. D-Link Assist also offers installation and configuration services to get your new hardware working quickly and correctly.

Technical Specifications

Camera

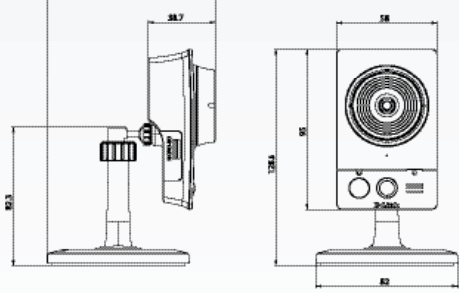
Camera Hardware Profile	<ul style="list-style-type: none"> • 1/2.7" 2 megapixel progressive CMOS sensor • 5 meter IR illumination distance, minimum illumination 0 lux with IR LED on • 10X digital zoom • 4.37 mm fixed lens 	<ul style="list-style-type: none"> • Aperture F 2.0 • Angle of view <ul style="list-style-type: none"> • 67.4° (H) • 40.8° (V)
Image Features	<ul style="list-style-type: none"> • Configurable image size, quality, frame rate, and bit rate • Time stamp and text overlays • 3 configurable motion detection windows 	<ul style="list-style-type: none"> • Configurable motion detection windows • Configurable brightness, saturation, contrast, and sharpness
Video Compression	<ul style="list-style-type: none"> • Simultaneous H.264/MPEG-4/MJPEG format compression • H.264/MPEG-4 multicast streaming 	<ul style="list-style-type: none"> • JPEG for still images
Video Resolution	<ul style="list-style-type: none"> • 16:9 - 1920 x 1080 (up to 15 fps); 1280 x 720, 800 x 450, 640 x 360, 480 x 270, 320 x 176, 176 x 144 up to 30 fps recording¹ 	<ul style="list-style-type: none"> • 4:3 - 1440 x 1080 (up to 15 fps); 1024 x 960, 1024 x 768, 800 x 600, 640 x 480, 320 x 240, 176 x 144 up to 30 fps recording¹
Audio Support	<ul style="list-style-type: none"> • GSM-AMR speech encoding, bit rate: 4.75 kbps to 12.2 kbps • G.726 audio encoding, bit rate: 8 kbps to 64 kbps 	<ul style="list-style-type: none"> • MPEG-4 AAC audio encoding, bit rate: 16 kbps to 128 kbps
External Device Interfaces	<ul style="list-style-type: none"> • 10/100 BASE-TX Fast Ethernet port • Supports 802.3af PoE 	<ul style="list-style-type: none"> • MicroSD/SDHC card slot • External audio input/output

Network

Network Protocols	<ul style="list-style-type: none"> • IPv4 • TCP/IP • UDP • ICMP • DHCP client • NTP client (D-Link) • DNS client • DDNS client (D-Link) • SMTP client • FTP client • HTTP / HTTPS 	<ul style="list-style-type: none"> • Samba client • PPPoE • UPnP port forwarding • RTP / RTSP / RTCP • IP filtering • 3GPP • IGMP • ONVIF compliant
Security	<ul style="list-style-type: none"> • Administrator and user group protection • Password authentication 	<ul style="list-style-type: none"> • HTTP and RTSP digest encryption

System Management

System Requirements for Web Interface	<ul style="list-style-type: none"> • Operating system: Microsoft Windows, XP, Vista, 7 • Browser: Internet Explorer, Firefox, Chrome 	
Event Management	<ul style="list-style-type: none"> • Motion detection • PIR motion detection • Event notification and uploading of snapshots/video clips via e-mail or FTP 	<ul style="list-style-type: none"> • Supports multiple SMTP and FTP servers • Multiple event notifications • Multiple recording methods for easy backup
Remote Management	<ul style="list-style-type: none"> • Take snapshots/video clips and save to local hard drive or NAS via web browser 	<ul style="list-style-type: none"> • Configuration interface accessible via web browser
Mobile Support	<ul style="list-style-type: none"> • Devices with 3GPP playback support 	
D-ViewCam™ System Requirements	<ul style="list-style-type: none"> • Operating system: Microsoft Windows 7/Vista/XP • Web browser: Internet Explorer 7 or higher 	<ul style="list-style-type: none"> • Protocol: standard TCP/IP

D-ViewCam™ Software Functions	<ul style="list-style-type: none"> • Remote management/control of up to 32 cameras • Viewing of up to 32 cameras on one screen • Scheduled motion triggered, or manual recording options 	<ul style="list-style-type: none"> • Supports all management functions in web interface
Physical		
Weight	• 69 g (0.34 lb)	
Power	<ul style="list-style-type: none"> • 5 VDC • 802.3af PoE 	
Power Consumption	• 2 W.	
Temperature	<ul style="list-style-type: none"> • Operating: 0 to 40 °C (32 to 104 °F) 	<ul style="list-style-type: none"> • Storage: -20 to 70 °C (-4 to 158 °F)
Humidity	<ul style="list-style-type: none"> • Operating: 20% to 80% non-condensing 	<ul style="list-style-type: none"> • Storage: 5% to 95% non-condensing
Certifications	<ul style="list-style-type: none"> • CE • CE LVD 	<ul style="list-style-type: none"> • FCC • C-Tick
Dimensions	 <p>The image contains two technical drawings of the DCS-2210 camera. The left drawing is a side view showing the camera's profile and its mounting arm. Dimensions indicated include a height of 85.3 mm and a width of 38.7 mm. The right drawing is a front view of the camera, showing the lens and the mounting base. Dimensions indicated include a height of 58 mm, a width of 32 mm, and a depth of 17.6 mm.</p>	

¹ Frame rates when streaming video may vary depending on network conditions and method used.



For more information: www.dlink.com