

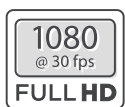
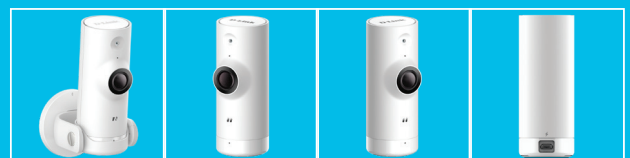
Mini Full HD Wi-Fi Camera

Smarter Surveillance, Simpler Than Ever

See your home in cinematic detail with Full HD 1080p resolution and let advanced AI-based person detection alert you to motion that matters. Built-in night vision and video recording to the cloud give you that extra peace of mind whether you are home or away.

DCS-8000LHV3

- True Full HD 1080p resolution with 129-degree field-of-view
- IR night vision up to 5 m lets you see what's happening even in total darkness
- AI-based person detection intelligently identifies human motion
- Sound and motion detection to alert you when something happens
- Receive a snapshot and take action from your lock screen with a tap to call a designated contact
- Supports WPA3TM & TLS encryption for more protection
- Built-in Bluetooth Low Energy for faster and easier setup
- View and manage your camera using the mydlink™ app
- Supports 1-year free and subscription-based cloud recording² for safe video storage and viewing
- Supports ONVIF Profile S for use with compatible network video recorders and software for continuous recording
- Futureproofed with IPv6 support
- Works with the Google Assistant and Alexa



True Full HD Clarity

1080p at 30 fps so you never miss a thing



AI-Based Person Detection

Intelligently identifies human motion



Cloud Recording²

Record videos to the cloud and view from anywhere



Day & Night

See up to 5 metres in the dark



ONVIF Compliant

Supports ONVIF for continuous recording with compatible network video recorders and software



Rich Notifications

Receive a snapshot and take action from your lock screen with a tap to call a designated contact



WPA3 Encryption

WPA3 encryption for more data protection



Smart Home Compatible

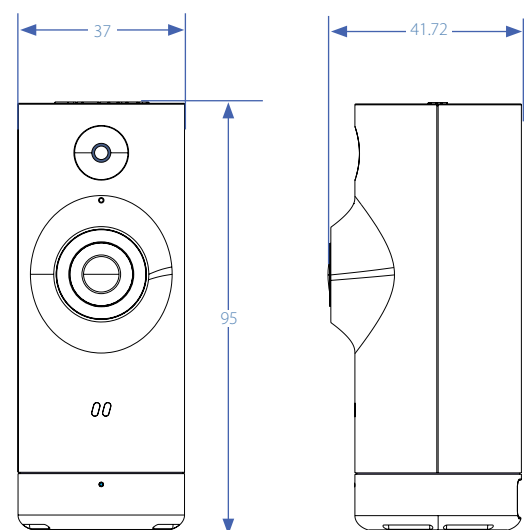
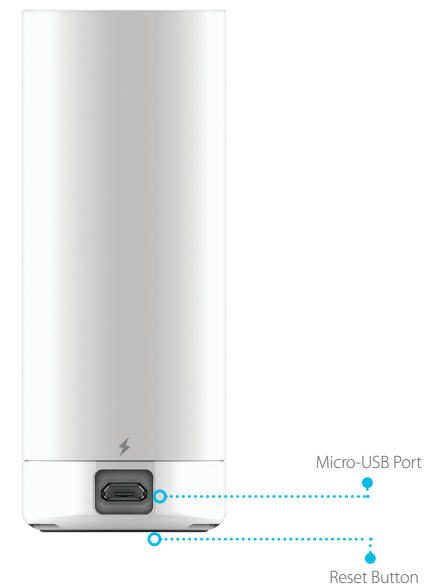
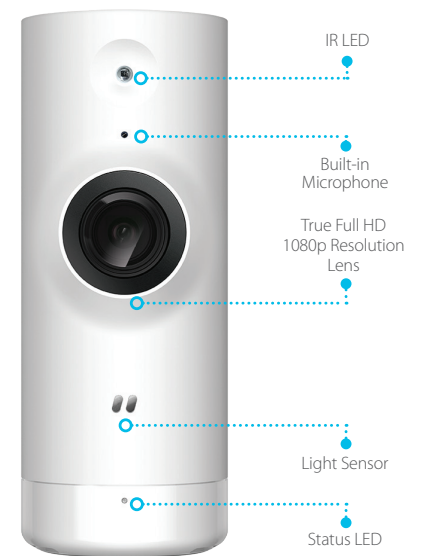
Works with Amazon Alexa and Google Assistant

General	
Video Compression	H.264
Max. Resolution	1080p (1920 x 1080)
Max. Frame	30 FPS
Image Sensor	1/3" Progressive CMOS sensor
Day & Night - IR LED	5 m
Focal Length	2.90 mm
Aperture	F2.2
Angle of View	(D: 129° / H: 109° / V: 58.5°)
Audio	Built-in microphone
Audio Codec	MPEG-2 AAC LC

Functionality	
Wireless IEEE Standard	802.11n/g wireless, 1T1R
Wi-Fi Operation Band	Wi-Fi operates on the 2.4 GHz band
Security Protocol	WPA3
Bluetooth	Bluetooth Low Energy 4.2
Network Protocols	IPv4, IPv6, DHCP Client, Bonjour (mDNS and DNS-SD), ONVIF Profile S, RTSP, SRTP, RTP, HTTPS

Software	
Device Management	mydlink app ⁴ (iOS and Android)
Features	True Full HD Clarity, Person Detection, Sound/Motion Detection, Cloud Recording, Smart Home Compatible, Rich Notifications
Recording	mydlink Cloud Recording ³
Notifications	Push notifications with a snapshot and quick action buttons (2 designated contact numbers and live view)
Voice Assistants	Amazon Alexa, the Google Assistant

Physical	
Power Input	100 to 240 V AC, 50/60 Hz
Power Output	5V 1A
Max. Power Consumption	4 W ± 5%
Cable Length	1.5 m
Indoor/Outdoor	For indoor use
Operating Temperature	0 to 40 °C
Storage Temperature	-20 to 70 °C
Operating/Storage Humidity	20% to 80% / 5% to 95% non-condensing
Weight	59 g
Dimensions	37 x 41.72 x 95 mm
Certifications	CE



¹ Use of audio or video equipment for recording the image or audio of a person without their knowledge and consent is prohibited in certain countries. The end-user assumes all liability for compliance with applicable local laws. ² Subscription required. Subscription and One Year Free Plan offer subject to Terms and Conditions, please visit the D-Link website for more details. D-Link reserves the right to amend Terms and Conditions without prior notice. ³ Minimum recommended upload bandwidth of 1.5 Mbps for live viewing or 3 Mbps for cloud recording. ⁴ Please refer to the app's store page to check whether your device is compatible.