

ANT24-0800

- 8dBi Signal Gain to Increase the Range of Your Wireless Device
- Waterproof Wall-Mountable Design for Outdoor Use
- 360° of Expanded Coverage
- Works with 802.11b and 802.11g Compliant Devices



2.4GHz Omni-Directional Outdoor Antenna

D-Link, an industry leader in networking, introduces the ANT24-0800 2.4GHz Omni-Directional Outdoor Antenna. The ANT24-0800 provides increased coverage for your existing 802.11b/g wireless network.

The ANT24-0800 is an 8dBi omni-directional antenna, giving you increased wireless signal range in all directions. This 8dBi antenna also improves signal quality, reducing dead spots in your wireless coverage.

The ANT24-0800 connects to a variety of D-Link Wireless Routers and Access Points. Using an N-Jack or the included conversion cable (N-Plug to RP-SMA), the ANT24-0800 also easily connects to other wireless networking devices.

The ANT24-0800's omni-directional design gives you increased wireless signal range in all directions, making it ideal for Point-to-MultiPoint (PtMP) bridging. Its powerful omni-directional design can effectively redistribute a wireless signal to multiple remote locations.

The ANT24-0800 includes a sturdy base for wall installation, and a waterproof design to resist harsh weather conditions. The package includes a surge protector and waterproof tape for outdoor mounting.

Note: To obtain optimal results in extending wireless range with outdoor antenna installations, it is recommended that professional installer service is consulted for site survey and and proper installation.

2.4GHz Omni-Directional Outdoor Antenna

ANT24-0800

SPECIFICATIONS

Electrical Specifications

Frequency Range

- 2.4 -2.5GHz

Gain

8dBi

VSWR

- 2:1 Max

Polarization

- Linear, vertical

HPBW

- horizontal - 360°
- vertical- 15°

Front to Back Ratio

- 15 dB

Power Handling

- 50W (cw)

Impedance

- 50 Ohms

Connector

- N-female

Cable Length

- (N-male to RP-SMA plug) - .5 meters

Environmental & Mechanical Characteristics

Temperature

- (-40°C to 80°C)

Humidity

- 100% @ 77°F (25°C)

Lightning Protection

- DC ground

Radome Color

- Gray-white

Radome Material

- Fiberglass

Radiator Material

- Micro Stripline

Antenna Kit Weight

- 7.36 lbs (3.34kg)

Dimensions

- 20.47 x 0.75in. (520 x 19mm)

Survival Wind Speed

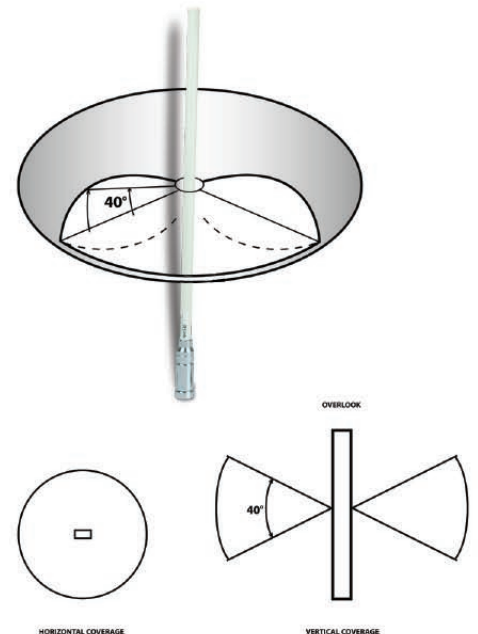
- 112 miles/hr (180 km/hr)

Warranty

- 1 Year



Add the ANT24-0800 to your 802.11b/g wireless PCI Adapter, Router or Access point for additional wireless coverage in all directions.



D-Link Systems, Inc. 17595 Mt. Herrmann Fountain Valley CA92708-4160 www.dlink.com
© Copyright D-Link Systems, Inc. 2004. All rights reserved. D-Link® is a registered trademark of D-Link Systems, Inc.
Other trademarks or registered trademarks are the property of their respective manufacturers or owners.
Price and specifications are subject to changes without notice. See inside package for warranty details.
* 24/7 Tech Support is available only in USA.

D-Link®
Building Networks for People