

## Product Highlights

### Rugged Construction

IP68 weatherproof housing and weathershield makes the DCS-6314 ideal for the most demanding of surveillance applications

### Full HD Resolution with Wide Dynamic Range

A high-resolution megapixel sensor provides Full HD 1080p resolution while Wide Dynamic Range technology ensures that you capture the details you need

### Versatile Installation

Power over Ethernet support and a range of mounting options allow installation in a wide variety of indoor and outdoor locations and situations



## DCS-6314

# Full HD WDR Varifocal Day & Night Outdoor Dome Network Camera

## Features

### Exceptional Video Quality

- 1/2.8" 2 megapixel progressive CMOS sensor
- Full HD resolution of 1920 x1080
- Wide Dynamic Range image enhancement
- H.264, MPEG-4, MJPEG codec support for streaming and recording
- Motion detection
- Privacy mask

### Outdoor Placement

- Built-in IR LED illuminator with a 15 metre range for use in dark areas
- Range of mounting options for flexible placement
- Rugged IP68 weatherproof housing
- Weathershield to protect unit when mounted outdoors

### Flexibility

- Micro SD/SDHC Card slot for onboard storage
- 10/100 Fast Ethernet port with PoE ensures easy integration into your network
- DI/DO socket for connection to external devices
- Audio in and out jacks can be connected to a microphone and speaker for 2-way communication

The D-Link DCS-6314 Full HD WDR Varifocal Day & Night Outdoor Dome Network Camera is a high definition professional surveillance and security solution suitable for small, medium, and large enterprises. The camera uses a high-sensitivity 2 megapixel progressive scan CMOS sensor with onboard WDR image enhancement to deliver truly superior quality video in all conditions. The all-in-one rugged design makes this camera extremely reliable and ideal for deployment in surveillance applications without the need for additional accessories.

## High-Quality Video

To maximise bandwidth efficiency and improve image quality, the DCS-6314 provides real-time video compression using the H.264, MPEG-4, and MJPEG codecs, and supports three separate profiles for simultaneous video streaming and recording. This versatility enables a wide variety of security applications, such as monitoring public areas to detect incidents and to coordinate responses, enforcing access control to restricted areas, deterring criminal activity, or monitoring inventory. Furthermore, bandwidth requirements can be adjusted in real-time over the network, and recorded video files can be saved to a network attached storage (NAS) device or internal Micro SD card.

## Continuous Monitoring

The DCS-6314's WDR image enhancement gives you improved image quality in environments with uneven or difficult lighting, so you can identify objects that are backlit or in brightly lit areas. In low-light situations, the IR cut filter automatically slides out of the way to use all available light. In addition, the DCS-6314 also has built-in IR LED illuminators with a 15 metre range, allowing the camera to keep watch even in complete darkness. These features work together to give you a reliable surveillance camera capable of monitoring an area 24 hours a day.

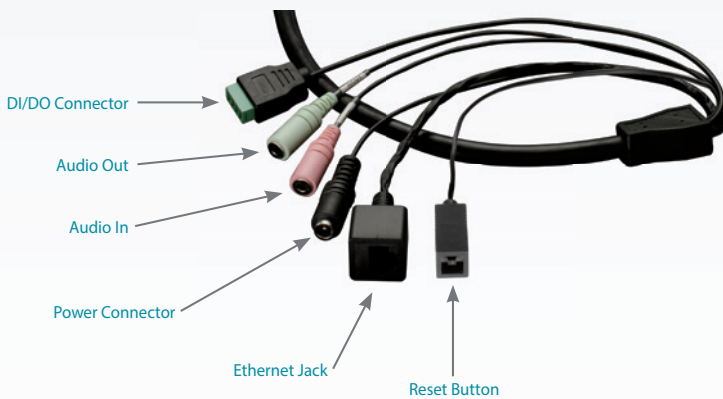
## Full HD WDR Varifocal Day & Night Outdoor Dome Network Camera

### Robust Management Software

The DCS-6314 Full HD WDR Varifocal Day & Night Outdoor Dome Network Camera includes D-ViewCam, a complete surveillance software package that enables you to view, manage, and record from up to 32 cameras on a single computer in a central location. Recordings and e-mail alerts can be triggered through motion detection or events triggered by digital input devices, keeping administrators informed of any unusual activity.

### Flexible Connectivity

The DCS-6314 has a built-in 802.3af compliant PoE module that simplifies installation by providing power and networking connectivity with a single cable, reducing the need to drill holes or lay additional cabling. In addition, the included digital input and output connector enables connections to external devices such as IR sensors, switches and alarm relays.



### D-Link Assist Rapid Response Support

If the worst should happen to your network you need the very best support and fast. Downtime costs your business money. D-Link Assist maximises your uptime by solving technical problems quickly and effectively. Our highly trained technicians are on standby around the clock, ensuring that award-winning support is only a phone call away.

With a choice of three affordable service offerings covering all D-Link business products, you can select the package that suits you best:

#### D-Link Assist Gold - for comprehensive 24-hour support

D-Link Assist Gold is perfect for mission-critical environments where maximum uptime is a high priority. It guarantees four hour around-the-clock response. Cover applies 24/7 for every day of the year including holidays.

#### D-Link Assist Silver - for prompt same-day assistance

D-Link Assist Silver is designed for 'high availability' businesses that require rapid response within regular working hours. It provides a four hour response service Monday to Friday from 8am to 5pm, excluding holidays.

#### D-Link Assist Bronze - for guaranteed response on the next business day

D-Link Assist Bronze is a highly cost-effective support solution for less critical environments. Response is guaranteed within eight business hours Monday to Friday from 8am to 5pm, excluding holidays.

D-Link Assist can be purchased together with any D-Link business product. So whether you're buying switching, wireless, storage, security or IP Surveillance equipment from D-Link, your peace of mind is guaranteed. D-Link Assist also offers installation and configuration services to get your new hardware working quickly and correctly.

# Full HD WDR Varifocal Day & Night Outdoor Dome Network Camera

## Technical Specifications

### Camera

Camera Hardware Profile	<ul style="list-style-type: none"> <li>• 1/2.8" 2 Megapixel progressive CMOS sensor</li> <li>• 15 metre IR illumination distance</li> <li>• Minimum illumination 0.2 Lux / F1.4 Color mode</li> <li>• Minimum illumination 0.05 Lux / F1.4 Black and White mode</li> <li>• Minimum illumination 0 Lux Black and White mode with IR LED on</li> <li>• Built-in Infrared-Cut</li> </ul>	<ul style="list-style-type: none"> <li>• Removable (ICR) Filter module</li> <li>• 2.8 to 12mm variable focal lens</li> <li>• Aperture F1.4</li> <li>• Angle of view (16:9) <ul style="list-style-type: none"> <li>• (H) 96.5° ~ 31.2°</li> <li>• (V) 64.5° ~ 17.8°</li> <li>• (D) 117.5° ~ 36.8°</li> </ul> </li> </ul>
Camera Housing	<ul style="list-style-type: none"> <li>• IP-68 compliant weatherproof housing</li> <li>• IK-10 compliant vandal-proof housing</li> </ul>	<ul style="list-style-type: none"> <li>• Included weather shield</li> </ul>
Image Features	<ul style="list-style-type: none"> <li>• Configurable image size, quality, frame rate, and bit rate</li> <li>• Time stamp and text overlays</li> <li>• Configurable motion detection windows</li> </ul>	<ul style="list-style-type: none"> <li>• Configurable privacy mask zones</li> <li>• Configurable exposure time, brightness, saturation, contrast, contrast, sharpness.</li> </ul>
Video Compression	<ul style="list-style-type: none"> <li>• Simultaneous H.264/MPEG-4/MJPEG format compression</li> <li>• H.264/MPEG-4 multicast streaming</li> </ul>	<ul style="list-style-type: none"> <li>• JPEG for still images</li> </ul>
Video Resolution	<ul style="list-style-type: none"> <li>• 16:9 - 1920 x 1080, 1280 x 720, 800 x 450, 640 x 360, 480 x 270, 320 x 176, 176 x 144 up to 30 fps</li> </ul>	<ul style="list-style-type: none"> <li>• 4:3 - 1440 x 1080, 1280 x 960, 1024 x 768, 800 x 600, 640 x 480, 320 x 240, 176 x 144 up to 30 fps</li> </ul>
Audio Support	<ul style="list-style-type: none"> <li>• G.726</li> </ul>	<ul style="list-style-type: none"> <li>• G.711</li> </ul>
External Device Interface	<ul style="list-style-type: none"> <li>• 10/100 BASE-TX Ethernet port with PoE</li> <li>• 1 DI / 1 DO</li> <li>• DC12V, 100 mA Output</li> </ul>	<ul style="list-style-type: none"> <li>• micro SD/SDHC card Slot</li> <li>• Audio input / output</li> </ul>

### Network

Network Protocols	<ul style="list-style-type: none"> <li>• IPv6</li> <li>• IPv4</li> <li>• TCP/IP</li> <li>• UDP</li> <li>• ICMP</li> <li>• DHCP client</li> <li>• NTP client (D-Link)</li> <li>• DNS client</li> <li>• DDNS client (D-Link)</li> <li>• SMTP client</li> <li>• FTP client</li> </ul>	<ul style="list-style-type: none"> <li>• HTTP / HTTPS</li> <li>• Samba client</li> <li>• PPPoE</li> <li>• UPnP port forwarding</li> <li>• RTP / RTSP / RTCP</li> <li>• IP filtering</li> <li>• QoS</li> <li>• CoS</li> <li>• Multicast</li> <li>• ONVIF compliant</li> </ul>
Security	<ul style="list-style-type: none"> <li>• Administrator and user group protection</li> <li>• Password authentication</li> </ul>	<ul style="list-style-type: none"> <li>• HTTP and RTSP digest encryption</li> </ul>

### System Management

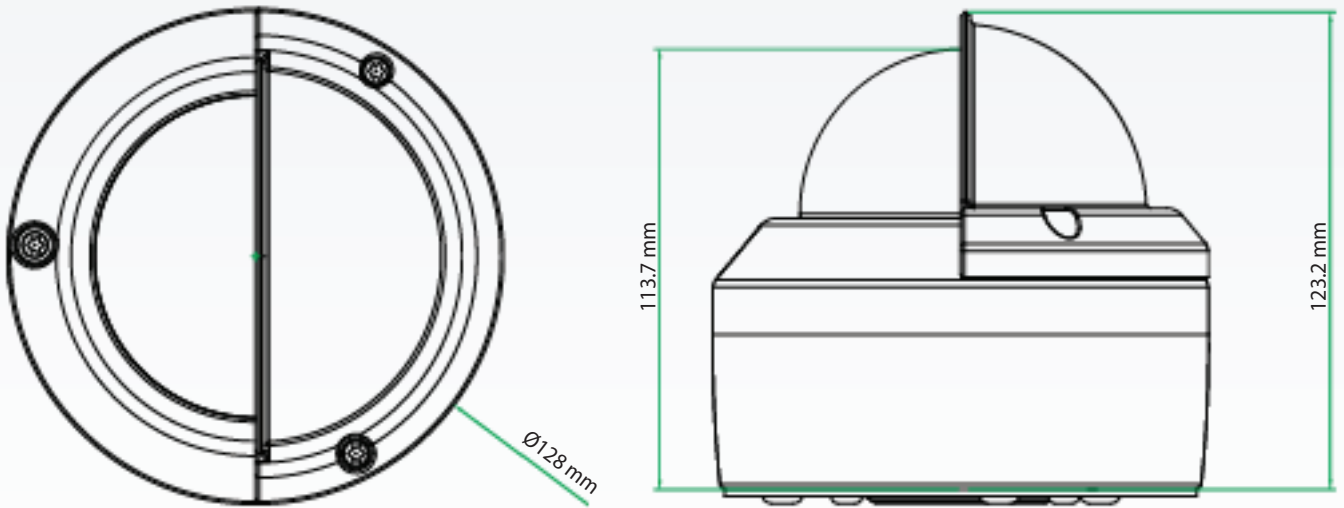
System Requirements for Web Interface	<ul style="list-style-type: none"> <li>• Browser: Internet Explorer, Firefox, Chrome, Safari</li> </ul>	
Event Management	<ul style="list-style-type: none"> <li>• Motion detection</li> <li>• Event notification and uploading of snapshots/video clips via e-mail or FTP</li> </ul>	<ul style="list-style-type: none"> <li>• Supports multiple SMTP and FTP servers</li> <li>• Multiple event notifications</li> <li>• Multiple recording methods for easy backup</li> </ul>
Remote Management	<ul style="list-style-type: none"> <li>• Take snapshots/video clips and save to local hard drive or NAS via web browser</li> </ul>	<ul style="list-style-type: none"> <li>• Configuration interface accessible via web browser</li> </ul>
OS Support	<ul style="list-style-type: none"> <li>• Windows 2000/XP/Vista/Windows 7/iPhone/iPad/Android</li> </ul>	
D-ViewCam™ System Requirements	<ul style="list-style-type: none"> <li>• Operating System: Microsoft Windows 7/Vista/XP</li> <li>• Web Browser: Internet Explorer 7 or higher</li> </ul>	<ul style="list-style-type: none"> <li>• Protocol: Standard TCP/IP</li> </ul>
D-ViewCam™ Software Functions	<ul style="list-style-type: none"> <li>• Remote management/control of up to 32 cameras</li> <li>• Supports all management functions provided in web interface</li> </ul>	<ul style="list-style-type: none"> <li>• Viewing of up to 32 cameras on one screen</li> <li>• Scheduled motion triggered, or manual recording options</li> </ul>

# DCS-6314

## Full HD WDR Varifocal Day & Night Outdoor Dome Network Camera

General	
Weight	• 1112 grams (2.45 lbs)
Power	• Input: 100 to 240 V AC, 50/60 Hz • Output: 12V DC 1.25 A
Power Consumption	• 10 +- 5% Watt
Temperature	• Operating: -30 to 50 °C (-22 to 124 °F) • Storage: -20 to 70 °C (-4 to 158 °F)
Humidity	• Operating: 20% to 80% non-condensing • Storage: 5% to 95% non-condensing
Certifications	• CE • CE LVD • FCC • C-Tick

### Dimensions Diagram



### Optional Accessories

Part Number	Description
DCS-34-2	 <p>Pendant Mount 201 x 150 mm (7.9 x 5.9 inches), 665 grams (1.45 lbs)</p>
DCS-34-3	 <p>Bent Arm Mount 253 x 150 mm (9.96 x 5.9 inches), 770 grams (1.7 lbs)</p>



For more information: [www.dlink.com](http://www.dlink.com)

D-Link European Headquarters. D-Link (Europe) Ltd., D-Link House, Abbey Road, Park Royal, London, NW10 7BX. Specifications are subject to change without notice. D-Link is a registered trademark of D-Link Corporation and its overseas subsidiaries. All other trademarks belong to their respective owners. ©2013 D-Link Corporation. All rights reserved. E&OE.

Updated July 2013

**D-Link**<sup>®</sup>  
Building Networks for People