

Features

- On-screen Display (OSD)
- Supports daisy chaining with up to 3 cascade levels. Cascaded units do not require a special configuration.
- Keyboard emulation prevents boot errors
- Supports hot-plugging: All devices connected to the KVM can be added or removed at any time without shutting down the KVM.
- Select a PC to switch to using one of 3 interfaces:
 - Front Panel Button
 - Hot-Keys on a PS/2 keyboard
 - OSD Menu (On Screen Display)
- LED display for PC and/or server status monitoring

Compatibility

- Fully compliant with USB 1.1/ 2.0 specifications
- Support for Windows, Linux, Mac OS 9/ OS X, and Sun Microsystems Operating Systems
- Rack mountable in 19" system rack (1U)
- Monitor resolutions of up to 2048 x 1536

¹ Daisy-chain configuration using DKVM-450

PS2/USB 8/16 Port Combo KVM Switch



The D-Link PS2/USB 8/16 Port Combo KVM Switch is a high-end local remote management solution which allows you to control up to 4096* PCs from a single console.

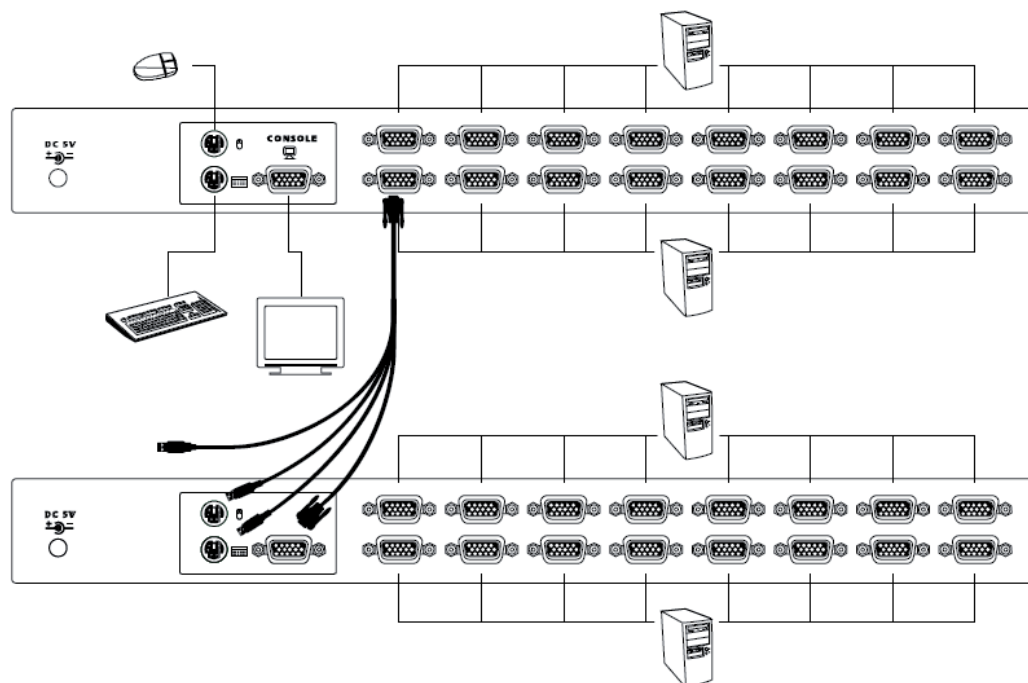
Versatile Management

Toggle between clients using the front panel buttons, keyboard hotkeys, or On-screen Display (OSD) menu. The on-screen menu allows you to label each channel with a descriptive name, providing clear and easy navigation. A convenient Auto-Scan function allows you to automatically toggle between multiple computers sequentially at preset intervals. The front panel LEDs assist with workstation/server status monitoring. Green LEDs indicate that systems are online, while separate red LEDs indicate when a particular system has been selected for management via console.

Convenient Installation

The sturdy metal chassis is mountable in a standard 19" rack. Daisy chain multiple KVM switches together up to three levels deep; cascaded units require no special configuration and automatically configure themselves as master or slave. Target workstations can be connected via keyboard/mouse or PS/2 using a custom combo cable. A PS/2 or USB keyboard is emulated on each terminal allowing all attached computers to successfully boot without keyboard errors. Hot-pluggable connections allow you to add devices to or remove them from the KVM switch without the need to shut it down.

Example: Cascade Chaining Configuration



Technical Specifications

DKVM-440

DKVM-450



Number of Computers Controlled	8		16	
Selection Method	Push Button and Hot-Key (PS/2 Keyboard) or On-Screen-Display (OSD)			
LEDs	Red for PC Selected Green for PC On-line/Ready			
PC Connectors	Video	8 x HDB-15 female		16 x HDB-15 female
	Keyboard/Mouse	PS/2 & USB Signal Combined		
Console Ports	Keyboard	1 x 6 pin mini-DIN female		
	Mouse	1 x 6 pin mini-DIN female		
	Video	1 x HDB-15 female		
Firmware Upgrade Port	Mini USB			
Auto-Scan Interval	Adjustable time setting by OSD menu			
DDC, DDC2 monitor	Maximum resolution up to 2048 x 1536 @ 65 Hz			
Hot-swappable	Yes			
Operating Systems Supported	Windows 98SE/ME/2000/2003/2008/XP/Vista/7 Linux, Mac OS 9/OS X and Sun Microsystems			
Power	By external power adapter			
Dimensions (L x W x H)	44 x 15.7 x 4.5 cm (17.3 x 6.1 x 1.5 inches)			
Weight	1750 g		1900 g	
Housing Material	Metal			
Operating Temperature	0-50°C (32°-122°F)			
Humidity	0%-80% Relative Humidity			
Certifications	FCC, CE, C-Tick, IC, CSA			



D-Link Corporation
No. 289 Xinhua 3rd Road, Neihu, Taipei 114, Taiwan
Specifications are subject to change without notice.
D-Link is a registered trademark of D-Link Corporation and its overseas subsidiaries.
All other trademarks belong to their respective owners.
©2010 D-Link Corporation. All rights reserved.
Release 01 (May 2010)