

**DU-H4SMK**  
**Multifunction USB Hub**

**User's Guide**

---

# INTRODUCTION

---

Congratulations on your purchase of the DU-H4SMK Multifunction USB Hub. The USB Hub providing one high-speed RS-232 Serial, one PS/2 Keyboard, one PS/2 Mouse ports and 4 Downstream USB ports. The USB Hub features easy connectivity for traditional devices includes modem, keyboard, mouse and others USB devices.

---

## Technology Overview

---

USB stands for Universal Serial Bus. It is a standard that has been adopted by leading manufacturers within the computer industry to define a new type of peripheral connection scheme. It is designed to replace older parallel and serial ports, cables, and connectors with something faster and easier to use. USB is:

- ✍* Easier -- Windows 98, Me and 2000 will automatically recognize newly installed devices.
- ✍* Quicker -- You won't have to reboot when installing.
- ✍* Faster -- Top USB data speed is around 100 times faster than a serial connection.
- ✍* Greater Expandability -- Using USB hubs you can connect up to 127 devices to your computer.

~~✂~~ Hot Swappable -- They just plug and go!

---

## **About the DU-H4SMK Multifunction USB Hub**

---

The DU-H4SMK Multifunction USB Hub allows user to connect up to four USB peripherals or devices to their USB ready PC.

The DU-H4SMK Multifunction USB Hub supported for legacy devices such as PS/2 keyboards, PS/2 mouse, and modems.

The DU-H4SMK Multifunction USB Hub is designed to provide quick and easy access to the four type ‘A’ downstream ports for connecting peripherals with USB support, USB hubs and other devices. A single type “B” upstream port is provided for connecting to the host computer, or another USB hub.

---

### **Product Features**

---

- ~~✂~~ USB 1.1 specification compatibility
- ~~✂~~ Plug-and-Play
- ~~✂~~ Supports both OHCI and UHCI.
- ~~✂~~ Supports Self-power mode.
- ~~✂~~ Supports 1 upstream and four downstream USB ports
- ~~✂~~ 5 LED indicators for Power and Port status
- ~~✂~~ Connects up to 127 USB devices with cascading hub.

~~SS~~ Over-current and high-inrush current protections

---

## INSTALLATION

---

The DU-H4SMK Multifunction USB Hub was designed to be simple and easy to install.

---

### Aspect Description

---



---

## **Hardware Installation**

---

1. Plug the included adapter into the rear of the DU-H4SMK Multifunction USB Hub and an available electrical outlet.
2. Plug the B-type connector into the “Upstream Port”.
3. Plug the A -type connector into a computer or USB Hub downstream port.
4. Connect USB devices to the Hub: Down-stream 1 - Downstream 4.
5. Connect legacy devices to the PS/2 keyboard, PS/2 mouse or RS-232 serial port.

---

## **Software Installation**

---

After installing the DU-H4SMK Multifunction USB Hub, the Windows will find a new device and requests a driver program. Please insert the driver diskette enclosed and to follow up the screen instruction to complet the installing.

---

## LED Indicators

---

The DU-H4SMK Multifunction USB Hub is equipped with 5 LED indicators:

### Power Indicator:

This indicator lights green when the USB Hub is receiving power; otherwise, it is off.

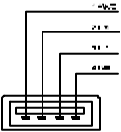

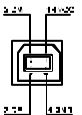

### Port status LED:

Per port has one status LED. When the LED lights on, means the downstream port is working successfully. Otherwise, the LED light is off.

---

## USB Connector Pin Assignment

---

	
Receptacle A	Series-A Plug
	
Receptacle B	Series-B Plug

---

## **SPECIFICATIONS**

---

Standards:	USB Specification V.1.1 compatibly
Data Speed:	Low: 1.5Mbps High: 12Mbps
LED indicators:	Power x 1, Port status x 4
Upstream port:	Series-B Receptacle x 1
Downstream port:	Series-A Receptacle x 4
Legacy ports:	PS/2 keyboard port x 1 PS/2 mouse port x 1 DB-9 RS-232 serial port x 1
Output Voltage:	Per port DC +5V
Output Current:	Per port 500mA
Dimensions:	118 x 67 x 32 mm
Storage Temperature:	Storage: -25°C ~ 70°C Operation: 0°C ~ 50°C
Humidity:	Storage: 10% ~ 90% Operation: 10% ~70% non-condensing
Power Consumption:	
12 Watts (maximum)	