

Product Highlights

Next Generation Wireless AC

The fastest wireless and wired technology available today, with combined wireless speeds of up to 1.9 Gbps and Gigabit Ethernet

MU-MIMO with Advanced AC SmartBeam™

Dramatically improves the wireless range, allowing you to minimise lag whilst gaming online, watch 4K movies, transfer files and browse the Internet with more devices, simultaneously

Dual-Band Technology with SmartConnect

Distributes traffic over 2 dedicated Wi-Fi radios for optimised network performance and reliability



DIR-878

EXO AC1900 MU-MIMO Wi-Fi Router

Features

High-Speed Connectivity

- 802.11ac wireless with MU-MIMO and AC SmartBeam delivers blazing fast wireless connectivity with increased range and reliability
- 10/100/1000 Gigabit Ethernet WAN port for fast-paced Internet access
- Four 10/100/1000 Gigabit Ethernet LAN ports give you high-speed wired connectivity

Flexible Bandwidth

- Concurrent dual-band Wi-Fi with combined speeds of up to 1900 Mbps¹
- QoS engine to prioritise important traffic and deliver uninterrupted bandwidth

Setup and Management

- Web browser-based setup and configuration
- Intuitive setup wizard to guide you through the configuration process
- Firewall and access control options to prevent attacks and restrict access to your network

The EXO AC1900 MU-MIMO Wi-Fi Router brings a host of new technologies to create the best Wi-Fi experience to date. With combined Wi-Fi speeds of up to 1,900 Mbps, it allows you to create a home Wi-Fi that connects all of your computers, game consoles, smart TVs and mobile devices. AC SmartBeam™ together with MU-MIMO technology brings you the future of high-bandwidth wireless connectivity, further increasing the speed and coverage of your network.

High-Speed Wired and Wireless Connectivity

The DIR-878 upgrades your Wi-Fi to the latest dual-band high-speed wireless technology to bring you lightning fast Wi-Fi speeds of up to 1,900 Mbps¹ (1,300 Mbps 5 GHz Wireless AC + 600 Mbps 2.4 GHz Wireless N), so you can meet the increasing demand from multimedia applications. Enjoy seamless high definition streaming media, Internet phone calls, online gaming and content-rich web surfing throughout your home or office.

In addition, 10/100/1000 Gigabit Ethernet ports give you solid, dependable wired performance for devices such as Network Attached Storage (NAS), set-top boxes and gaming consoles. The built-in Quality of Service (QoS) engine allows you to prioritise important traffic to ensure that your favourite applications are receiving optimal bandwidth.

Smooth Streaming with Wireless 802.11ac Wave 2

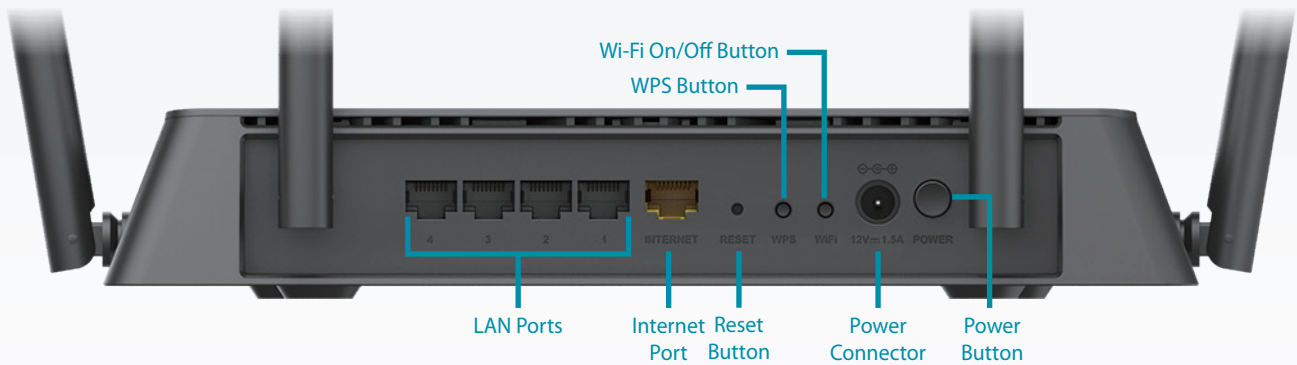
The DIR-878 brings a host of new technologies to create the best wireless networking experience to date. With 802.11ac Wave 2 technology, it provides Gigabit wireless connectivity with combined transfer rates of up to 1,900 Mbps¹. Featuring Multiple-User MIMO (MU-MIMO) technology, it can send and receive data to and from devices simultaneously to increase speed and efficiency. It is like having multiple routers in your home.

Easy to Set Up and Secure

Sharing your Internet connection doesn't have to be a complicated process: just open a web browser to access the setup wizard and follow the easy step-by-step instructions to get started. Configure, apply and set up WPA/WPA2 wireless security in minutes with the wireless network setup wizard, or use Wi-Fi Protected Setup (WPS), which establishes an encrypted wireless connection to new devices without the need to enter settings or create passwords. In addition, the built-in firewall requires no setup, protecting you against malicious attacks from the Internet and access control features allow you to restrict access to your network giving you greater control over network users.

Hassle-Free D-Link Smart Connect Technology

Ever since the introduction of 5 GHz wireless technology, users have had to blindly guess whether the 5 GHz or 2.4 GHz band would provide them with the best networking experience. D-Link's Smart Connect Technology eliminates this confusion by automatically distributing devices to the optimal network. Simply initiate a connection to the DIR-878 and its advanced algorithms will determine the best network for your device to connect to, thereby ensuring a faster, more reliable and hassle-free experience.



DIR-878 EXO AC1900 MU-MIMO Wi-Fi Router

Technical Specifications		
General		
Device Interfaces	<ul style="list-style-type: none"> IEEE 802.11 ac/n/g/b/a wireless LAN 10/100/1000 Gigabit Ethernet WAN port 	<ul style="list-style-type: none"> Four 10/100/1000 Gigabit Ethernet LAN ports
LEDs	<ul style="list-style-type: none"> Power Internet 	<ul style="list-style-type: none"> WLAN (2.4 GHz & 5 GHz)
Antenna Type	<ul style="list-style-type: none"> Four external antennas 	
Data Signal Rate	<ul style="list-style-type: none"> 2.4 GHz Up to 600 Mbps¹ 	<ul style="list-style-type: none"> 5 GHz Up to 1,300 Mbps¹
Standards	<ul style="list-style-type: none"> IEEE 802.11 ac IEEE 802.11 n IEEE 802.11 g IEEE 802.3ab 	<ul style="list-style-type: none"> IEEE 802.11 b IEEE 802.11 a IEEE 802.11 d IEEE 802.3u
Minimum Requirements	<ul style="list-style-type: none"> Internet Explorer 10, Firefox 28.0, Chrome 28.0, Safari 6.0, or other Java-enabled browser 	<ul style="list-style-type: none"> Cable/DSL modem or other Internet Service Provider equipment with Ethernet port
Functionality		
Security	<ul style="list-style-type: none"> WPA & WPA2 (Wi-Fi Protected Access) 	<ul style="list-style-type: none"> WPS (Wi-Fi Protected Setup)
Advanced Features	<ul style="list-style-type: none"> Web setup wizard QoS (Quality of Service) DMZ (De-militarised Zone) QuickVPN 	<ul style="list-style-type: none"> Firewall - Network Address Translation (NAT) Guest Zone IPv6-Ready
Physical		
Dimensions	<ul style="list-style-type: none"> 258.8 x 183.4 x 44.9 mm (10.2 x 7.2 x 1.8 inches) 	
Weight	<ul style="list-style-type: none"> 565 grams (1.25 pounds) 	
Power Adaptor	<ul style="list-style-type: none"> Input: 100 to 240 V AC, 50/60 Hz 	<ul style="list-style-type: none"> Output: 12 V, 1.5 A
Temperature	<ul style="list-style-type: none"> Operating: 0 to 40 °C (32 to 104 °F) 	<ul style="list-style-type: none"> Storage: -20 to 65 °C (-4 to 149 °F)
Humidity	<ul style="list-style-type: none"> Operating: 10% to 90% non-condensing 	<ul style="list-style-type: none"> Storage: 5% to 95% non-condensing
Certifications	<ul style="list-style-type: none"> FCC CE² C-Tick S Mark (UL60950) 	<ul style="list-style-type: none"> Wi-Fi Certified WPS Setup IPv6

¹ Maximum wireless signal rate derived from IEEE Standard 802.11ac and 802.11n specifications. Actual data throughput will vary. Network conditions and environmental factors, including volume of network traffic, building materials and construction and network overhead, may lower actual data throughput rate. Environmental factors will adversely affect wireless signal range.

² For the EU region, this product is compliant with CE regulations and operates within the following frequency ranges: 2.4 - 2.4835 GHz and 5.150 - 5.250 GHz.



For more information: www.dlink.com

D-Link European Headquarters. D-Link (Europe) Ltd., First Floor, Artemis Building, Odyssey Business Park, West End Road, South Ruislip HA4 6QE, United Kingdom. Specifications are subject to change without notice. D-Link is a registered trademark of D-Link Corporation and its overseas subsidiaries. All other trademarks belong to their respective owners. ©2017 D-Link Corporation. All rights reserved. E&OE.

Updated July 2017

D-Link[®]
Building Networks for People