

Product Highlights

High Definition and High-Quality Video

High-resolution 2-megapixel Full HD 1080p images with H.264, MPEG-4, and MJPEG real-time video compression with codecs lets you stream live feeds with the quality and performance you require

Compact Size and Easy Deployment

Small size gives flexibility in terms of where the camera can be installed. Wireless connectivity allows the camera to be connected to your network without the need for a network cable

Reliable 24-Hour Surveillance

Infrared LED illuminators provide a clear picture at night while the IR cut filter maintains clarity during the day for dependable 24-hour surveillance



DCS-2230L

Full HD Wireless Day/Night Network Camera

Features

High Definition Video

- 1/2.7" 2-megapixel progressive CMOS sensor
- Real-time H.264, MPEG-4 and Motion JPEG compression
- Full HD resolution up to 1920 x 1080
- Fixed lens 2.8 mm F1.8
- Built-in IR Cut filter Removable (ICR)
- Built-in IR LED for environments with 0 lux minimum illumination
- Built-in PIR (Passive Infrared) sensor for motion detection
- Simultaneous multi-stream support
- ePTZ for virtual PTZ operation
- Supports multiple access lists
- Privacy mask

Connectivity and Flexibility

- Micro SD Card slot¹
- 2-way audio support
- 1 Digital Input / 1 Digital Output
- IEEE 802.11n
- WPS
- mydlink Cloud support
- 3GPP mobile surveillance
- Built-in Samba client for NAS
- ONVIF compliant

The D-Link DCS-2230L Full HD Wireless Day/Night Network Camera is a versatile camera perfect for monitoring low-light environments in your home or small office. It combines a high-resolution 2-megapixel sensor with a built-in IR LED to help you keep watch over areas in complete darkness. Additionally, the DCS-2230L is mydlink™-enabled, which makes it easy to setup and accessible from anywhere through the Internet using the free app on your smartphone or tablet, or through any web browser on a computer. The DCS-2230L features 802.11n wireless, allowing the camera to be placed anywhere within range of your wireless network. The DCS-2230L also offers simple installation, an intuitive web-based interface, remote monitoring and motion detection features for a complete and cost-effective home security solution.

Full-featured Surveillance

The DCS-2230L is built with a 2-megapixel image sensor to give you sharp, high quality snapshots and videos with resolutions up to Full HD 1080p, allowing you to see clearer details on objects of interest. Get a closer look with ePTZ, which lets you zoom in, zoom out, and pan across your camera's video so you can survey a large area easily. The DCS-2230L features a built-in IR LED and IR cut filter, making it suitable for both day and night applications. Wireless connectivity means the DCS-2230L can be conveniently placed anywhere within your Wi-Fi network, without the need to lay additional network cables.

High Performance Video Streaming

The DCS-2230L supports simultaneous streaming of H.264, MPEG-4, and MJPEG video to provide both high-quality and bandwidth-efficient compression formats. Additionally, the DCS-2230L supports multicast H.264 and MPEG-4 streaming, allowing users to view the camera feed by subscribing to a multicast IP address on the network.

Full HD Wireless Day/Night Network Camera

mydlink: the easiest way to setup up your camera and monitor your home

Connecting a camera on your network and accessing it has traditionally required complex configuration. mydlink makes it easy to access your camera from wherever you are, whenever it's convenient for you. Just download the free mydlink Lite app for iOS and Android smartphones and tablets and you can connect and setup your mydlink camera without turning on a computer. A step-by-step guide means you will have your camera up and running in a matter of minutes. Through the mydlink Lite app, you can set up a free mydlink account which allows you to view and manage your camera from any Internet connected computer. If you have more than one camera, you can add it to your existing mydlink account and watch all of your cameras from a single location.

Accessing your cameras on the go is easy too. Using the mydlink Lite app, you can quickly and easily view your camera feed from anywhere with a wireless or 3G/4G LTE connection. You can even access videos recorded onto a microSD card¹ and talk back through the app with 2-way audio support. Thanks to this app, you can monitor on-the-go even if you don't have access to a computer.

If you have a mydlink-enabled Cloud Router, setting up and configuring your DCS-2230L is easy as 123, thanks to Zero Configuration. Simply connect your camera to its power adapter and then connect your camera to your Cloud Router with an Ethernet cable - the camera will automatically be added to your account.

mydlink Lite App



With the free mydlink Lite app for iOS, Android and Windows Phone devices you can quickly and easily monitor your home or office anywhere with a Wi-Fi or mobile Internet connection.

A Complete, Expandable Surveillance Solution

The DCS-2230L is a self-sufficient surveillance solution, capable of recording snapshots and video to a microSD card without requiring a PC or network storage device. If you want to expand your surveillance options, D-ViewCam™ management software is also included, giving you the ability to manage up to 32 cameras with a robust set of features, including multi-camera views and automated e-mail alerts to keep you informed of suspicious or unusual activities.

Full HD Wireless Day/Night Network Camera

Technical Specifications

Camera

Camera Hardware Profile	<ul style="list-style-type: none"> • 1/2.7" 2 Megapixel CMOS sensor • 5 metre IR illumination distance • Minimum illumination: 0 lux with IR LED on • Built-in Infrared-Cut Removable (ICR) Filter module • Built-in PIR sensor (5 meter) • Built-in microphone and speaker • 10x digital zoom 	<ul style="list-style-type: none"> • Focal length: 2.8 mm • Aperture: F1.8 • Angle of view: <ul style="list-style-type: none"> • (H) 103° • (V) 55° • (D) 118°
Image Features	<ul style="list-style-type: none"> • Configurable image size, quality, frame rate and bit rate • Time stamp and text overlays • Configurable motion detection windows 	<ul style="list-style-type: none"> • Configurable privacy mask zones • Configurable shutter speed, brightness, saturation, contrast, and sharpness
Video Compression	<ul style="list-style-type: none"> • Simultaneous H.264/MPEG-4/MJPEG format compression • H.264/MPEG-4 multicast streaming 	<ul style="list-style-type: none"> • JPEG for still images
Video Resolution ²	<ul style="list-style-type: none"> • 16:9 - Up to 30 fps at 1920 x 1080, 1280 x 720, 800 x 450, 640 x 360, 480 x 270 	<ul style="list-style-type: none"> • 4:3 - Up to 30 fps at 1440 x 1080, 1280 x 960, 1024 x 768, 800 x 600, 600 x 480, 320 x 240
Audio Support	<ul style="list-style-type: none"> • MPEG-4 AAC audio encoding, bit rate: 16 kbps to 128 kbps 	<ul style="list-style-type: none"> • G.711 audio encoding, bit rate: 8 kbps to 64 kbps
External Device Interfaces	<ul style="list-style-type: none"> • 10/100 BASE-TX Fast Ethernet port • DI/DO socket for connection to external devices 	<ul style="list-style-type: none"> • microSD/SDHC card slot • 802.11n wireless with internal antenna

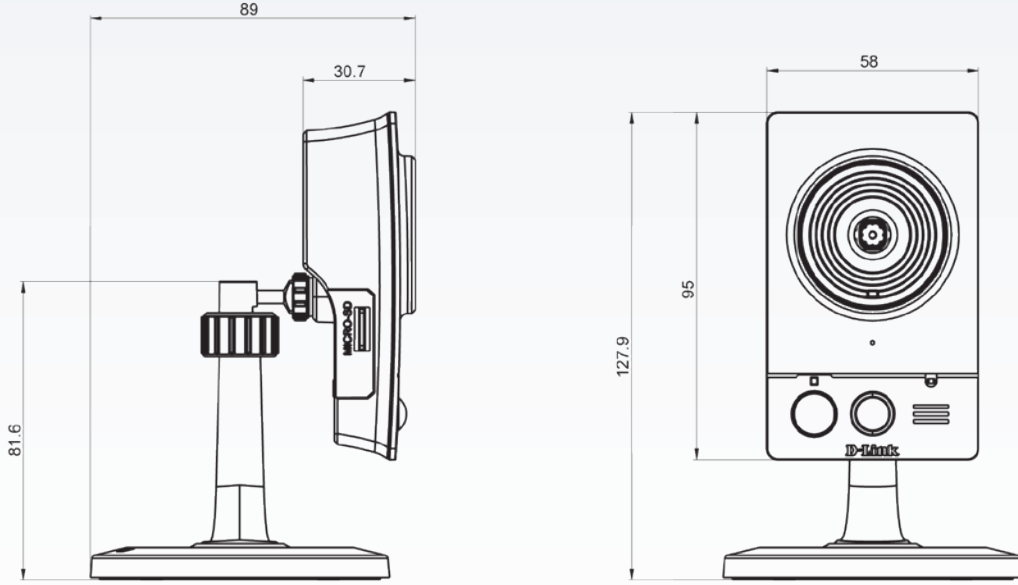
Network

Network Protocols	<ul style="list-style-type: none"> • IPv6 / IPv4 • TCP/IP • UDP • ICMP • DHCP client • NTP client (D-Link) • DNS client • DDNS client (D-Link) • SMTP client • FTP client • Bonjour 	<ul style="list-style-type: none"> • HTTP / HTTPS • Samba client • PPPoE • UPnP port forwarding • RTP / RTSP / RTCP • IP filtering • QoS • CoS • Multicast • IGMP • ONVIF compliant
Security	<ul style="list-style-type: none"> • Administrator and user group protection • Password authentication 	<ul style="list-style-type: none"> • HTTP and RTSP digest encryption

System Management

System Requirements for Web Interface	<ul style="list-style-type: none"> • Operating System: Microsoft Windows 8/7 (32/64-bit)/ Vista (32/64-bit)/XP, Mac OS X 10.5 or above 	<ul style="list-style-type: none"> • Browser: Internet Explorer 7, Firefox 12, Safari 7 or above
Event Management	<ul style="list-style-type: none"> • Motion detection, Periodic, Digital Input, System Boot, Network Lost, PIR • Event notification and saving/uploading of snapshots/video clips via e-mail, FTP, network storage, or SD card 	<ul style="list-style-type: none"> • Supports multiple SMTP and FTP servers • Multiple event notifications • Multiple recording methods for easy backup
Remote Management	<ul style="list-style-type: none"> • Take snapshots/video clips and save to local hard drive or NAS via web browser 	<ul style="list-style-type: none"> • Configuration interface accessible via web browser
Mobile Support	<ul style="list-style-type: none"> • mydlink mobile app for iOS and Android mobile devices 	
D-ViewCam System Requirements	<ul style="list-style-type: none"> • Operating System: Microsoft Windows 8/7 (32/64-bit)/ Vista (32/64-bit)/XP 	<ul style="list-style-type: none"> • Protocol: Standard TCP/IP
D-ViewCam Software Functions	<ul style="list-style-type: none"> • Remote management/control of up to 32 cameras • Viewing of up to 32 cameras on one screen 	<ul style="list-style-type: none"> • Supports all management functions provided in web interface • Scheduled motion triggered, or manual recording options

Full HD Wireless Day/Night Network Camera

Physical	
Weight	• 75 g (2.65 ounces)
Power	• Input: 100 to 240 V AC, 50/60 Hz • Output: 5 V DC, 1.2 A, 50/60 Hz
Power Consumption	• Max. 4W
Temperature	• Operating: 0 to 40 °C (32 to 104 °F) • Storage: -20 to 70 °C (-4 to 158 °F)
Humidity	• Operating: 20% to 80% non-condensing • Storage: 5% to 95% non-condensing
Certifications	• CE • CE LVD • FCC • C-Tick
Dimensions	

¹ MicroSD card not included.

² Frame rates when streaming video may vary depending on network conditions and method used.



For more information: www.dlink.com

D-Link European Headquarters. D-Link (Europe) Ltd., D-Link House, Abbey Road, Park Royal, London, NW10 7BX.
Specifications are subject to change without notice. D-Link is a registered trademark of D-Link Corporation and its overseas subsidiaries.
All other trademarks belong to their respective owners. ©2015 D-Link Corporation. All rights reserved. E&OE.

Updated February 2015

D-Link[®]
Home is where the **SMART** is