

D-Link[®]

DP-313

Wireless Print Server
User' s Manual

Rev. 02 (August, 2001)

TABLE OF CONTENTS

0	ABOUT THIS GUIDE	3
1	INTRODUCTION	4
	<i>Print Server Features</i>	4
	<i>External Features</i>	5
	Port Connectors	6
	Wireless DIP Switch	6
	Reset Button	7
	DC Power Connector	7
	LED Indicators	7
2	UNPACKING AND INSTALLATION	9
	<i>Unpacking and Inspecting the Print Server</i>	9
	<i>Installing the Print Server</i>	10
	<i>Power On Self-Test</i>	12
	<i>Testing Your Print Server</i>	14
3	CONTACTING TECHNICAL SUPPORT	16
4	PRODUCT SPECIFICATIONS	17
	<i>Printer Connection</i>	17
	<i>Wireless Network Connection</i>	17
	<i>Network Protocols</i>	18
	<i>Management and Diagnostics</i>	18
	<i>Environmental and Physical</i>	18
5	PORT PINOUTS	20
	<i>Parallel Ports</i>	20
6	LIMITED WARRANTY	22
7	D-LINK OFFICES	26
8	REGISTRATION CARD	27

ABOUT THIS GUIDE

This manual describes the 3 Parallel Port Multi-protocol Wireless Print Server, including a description of the print server's features, as well as the print server installation procedures and troubleshooting self-test results.

For information about software configuration of the Print Server to allow it to be used with your network, consult the *PS Admin User's Guide* included with your Print Server.

INTRODUCTION

The Print Server is a compact wireless print server which connects to your network through an access point under the infrastructure mode or can be used in ad-hoc mode for direct communication between PC/Notebook and print server anywhere you wish to locate wireless printer services. It manages the flow of print files from your workstations or file servers to its connected printers, delivering print jobs to high-performance printers much faster than a file server or a PC acting as a print server can.

Print Server Features

The Print Server improves network printing services in three ways:

- ◆ The Print Server picks up the workload of managing print file traffic to its connected printers. This provides workload relief to your file servers, and allows the file servers' full capacity to be used for file access or other direct services to network users. On peer-to-peer networks, workstations can print directly to the Print Server without increasing the load of another workstation or server.
- ◆ The Print Server's parallel printer ports are IEEE 1284 compliant high-speed bi-directional ports. High-speed laser printers connected to the Print Server's parallel ports can be operated at their full capacity.
- ◆ Because the Print Server is very portable and inexpensive compared to a PC-based print server, and because the Print Server

connects to your file servers through the network, printers can be deployed to locations of maximum convenience to users.

The Print Server is best used with TCP/IP Protocol although NetBeui and AppleTalk are also supported..

◆ **TCP/IP**

UNIX LPR/LPD (HP-UX, SunOS, Solaris, SCO, UnixWare, IBM AIX)

Windows NT/2000, Windows 95/98/Me

NetWare 5.x NDPS LPR Remote Printing (TCP/IP)

◆ **NetBEUI**

Windows NT/2000, Windows 95/98/Me, Windows for Workgroups, Microsoft LAN Manager, IBM LAN Server

◆ **AppleTalk**

MacOS EtherTalk

Windows-based setup and administration software, *PS Admin*, is supplied with the Print Server, making configuration and management quick and easy. The Print Server also supports configuration and management via the telnet protocol for networks without Windows-compatible machines. A Web-base management interface is also included.

External Features

This section describes the externally visible features of the DP313 Wireless Print Server.

Port Connectors

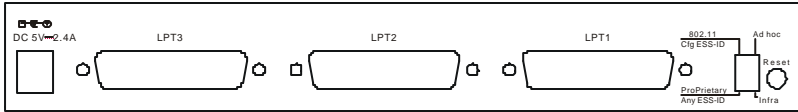
The Print Server's three printer ports are located on its rear panel. Three identical parallel ports are labeled LPT1, LPT2 and LPT3. These printer ports are independently configurable using the *PS Admin* program or the print server's telnet interface. (See the *PS Admin User's Guide* for information about configuring the print server's)

The print server also supports web configuration permitting users to configure settings through the web browser. DP-313 default IP address as follows:

- ◆ Default IP address – 192.168.0.1
- ◆ Subnet Mask – 255.255.255.0

Note:-

The PC's IP address must correspond with the print server's IP address in the same segment for the two devices to communicate.



Rear Panel

Wireless DIP Switch

The Print Server's rear panel features a DIP switch allowing two different modes of ad-hoc and infrastructure. In ad-hoc mode there are 2 types of settings, 802.11 ad-hoc mode and Proprietary ad-hoc mode where there is direct communication between PC/Notebook and print server.

Under infrastructure mode there are 2 types of settings, Cfg ESS-ID mode and Any ESS-ID mode where communication between PC/Notebook and print server is through the Access Point acting as a bridge between wired and wireless network.

Cfg ESS-ID (Configured ESS-ID)

- Connect to Access Point with ESS-ID
- Default ESS-ID is 'default'

Any ESS-ID

- Connect to Access Point with any ESS-ID closest to the unit

Reset Button

Reset of the unit will be initiated when the reset button is pressed once and then LEDs on LPT1, LPT2 & LPT3 begins to flash.

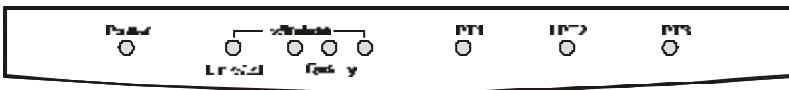
Factory Reset will be initiated when the reset button is pressed for three seconds or when the LEDs on LPT1, LPT2 & LPT3 begins to light up solid. Release the reset button and LPT1, LPT2, & LPT3 LEDs will begin to flash indicating the print server is changing to factory reset. When factory reset is completed the print server's wireless setting will be set to default on channel 6 and ESS-ID is set as 'default'.

DC Power Connector

The DC power input connector is located on the Print Server's rear panel and is labeled DC 5V.

LED Indicators

The front panel of the Print Server features several LED indicators:



Front Panel LED Indicators

◆ **Power**

- ◇ Steady green light confirms that the Print Server is powered on.

◆ **Link/Act**

- ◇ In infrastructure mode steady or flashing green light confirms the Print Server has a good connection to the Access Point.
- ◇ In ad-hoc mode steady or flashing green light confirms connection to other PC/Notebook.
- ◇ The indicator blinks off briefly to indicate that the Print Server is receiving/transmitting from/to the wireless network.

◆ **Wireless Quality (3)**

- ◇ These LED indicator lights show that the Print Server has wireless quality connections to the network in either ad-hoc or infrastructure mode.
- ◇ If only the first Wireless LED indicator lights up, it indicates poor wireless quality connection.
- ◇ When the first & second LED indicator lights up simultaneously, it indicates a moderate wireless quality connection.
- ◇ If all three LED indicators light up simultaneously, it shows a high quality wireless connection.

◆ **LPT1, LPT2, LPT3**

- ◇ These LED indicators light to show that the Print Server is transferring print data through the appropriate parallel port.

These three indicators are also used by the print server's power-on self test (POST) to indicate any hardware failures.

UNPACKING AND INSTALLATION

This chapter explains how to install your Print Server and connect it to the network. It also describes the print server self diagnostics.

Unpacking and Inspecting the Print Server

Carefully remove all items from the package. In addition to this *Hardware User's Guide*, be certain that you have:

- ◆ DP-313 Wireless Print Server
- ◆ Power Adapter
- ◆ User's Manual
- ◆ Print Server Software
- ◆ Quick Installation Guide

If any item is missing, or if you find any damage or mismatch, promptly contact your dealer for assistance.

Installing the Print Server

WARNING: *Configuration problems may result if the Print Server is powered up without first establishing its network connection. Follow this procedure to avoid complications at the configuration stage.*

1. Confirm proper operation of each of the printers to be connected to the Print Server.
2. When you have confirmed proper operation of each printer, switch its power off.
3. Confirm that your wireless network is operating normally.
4. (a) **Ad-Hoc Mode**
 - ◆ Before initiating set-up procedure for the print server make sure your wireless PCMCIA card on your PC/Notebook is set to channel 6 with ESS-ID set as ‘default’ in ad-hoc mode.
 - ◆ Make sure the DIP switch on the print server is positioned in the ad-hoc mode.
 - ◆ Press the Reset button on the print server for three seconds until the LPT begins to light up initiating the factory reset.
 - ◆ When factory reset is completed the print server will be set to default on channel 6 and ESS-ID is set as ‘default’.

Note 1:

When changes are made on the print server’s wireless channel and ESS-ID it must correspond to the PC/Notebook channel and ESS-ID for direct wireless communication.

Note 2:

The print server's ad-hoc mode supports two modes (802.11 ad-hoc mode and proprietary ad-hoc mode). You can position the DIP switch on the print server to the mode you want to operate. Which option of the ad-hoc mode is required depends on the operation of your print server. It depends on which ad-hoc mode is supported by your wireless card driver on the PC/Notebook. Some driver supports both modes, however, some driver support only one of the modes. The names of each ad-hoc mode may not be consistent between each wireless card vendor therefore you may need to try each of the ad-hoc mode (80.211 mode and proprietary mode) and select the mode that can communicate with each other.

4. (b) **Infrastructure Mode**

- ◆ Before initiating set-up procedure for the print server make sure your wireless PCMCIA card on your PC/Notebook is set to channel 6 with ESS-ID set as 'default' in ad-hoc mode.
- ◆ Make sure the DIP switch on the print server is positioned in the ad-hoc mode.
- ◆ Press the Reset button on the print server for three seconds until the LPT begins to light up initiating the factory reset.
- ◆ When factory reset is completed the print server will be set to default on channel 6 and ESS-ID is set as 'default'.
- ◆ Start-up PS Admin to modify the print server's ESS-ID to match with the Access Point's ESS-ID and this will link the print server to the Access Point. The ESS-ID uses "default" as the factory setting.
- ◆ From the DIP switch on the print server alter to infrastructure mode and the print server will reset.

Note 1:

Please make sure to change your PC/Notebook to infrastructure mode. The ESS-ID on PC/Notebook and print server must match with the Access Point's ESS-ID.

Note 2:

The print server supports two infrastructure operations (‘Cfg ESS-ID’ mode and ‘Any ESS-ID’ mode).

‘**Cfg ESS-ID**’ mode: The print server will connect to the access point that have the same ESS-ID with the print server’s configured ESS-ID.

‘**Any ESS-ID**’ mode: The print server will connect to any access point that print server finds first, however, the ESS-ID may not be the same with each other. This is an easier way to connect to the access point if you only have one access point, but be careful, it may connect to your neighbor’s access point.

5. While each printer is powered off, install a printer cable to connect its parallel port to the printer port of the Print Server.
6. Switch “ON” each connected printer.
7. Plug the AC power adapter’s DC output plug into the DC 5V power socket on the rear panel of the Print Server.
8. Plug the power adapter into an electric service outlet. This will supply power to the Print Server, as it has no external power switch. The Power LED on the Print Server’s front panel should light steady green, and the Print Server’s self-test will proceed.

Power On Self-Test

When the Print Server is powered on, it automatically performs a self-test on each of its major components. The final result of the self-test is signaled by the state of the LPT1, LPT2, and LPT3 LED indicators following the self-test. Preliminary to the actual component tests, the three LED indicators are tested to confirm their steady and flashing operation.

Immediately after power-up, all of the LED's should show steady green for several seconds. Then the LPT1, LPT2, and LPT3 LEDs should flash on simultaneously three times. Irregularity of any of the three LEDs during these LED tests may mean there is a problem with the LEDs themselves. Contact your dealer for correction of any LED problems before proceeding.

The actual component tests immediately follow the LED tests. A normal (no fault) result is signaled by a series of three cycles of sequential flashing of the three LEDs, followed by a quiescent state with all three LEDs dark.

If the self-test routine traps any component error, then following the LED tests the self-test will halt and the LED's will continuously signal the error according to the following table. In the event of any such error signal, contact your dealer for correction of the faulty unit.

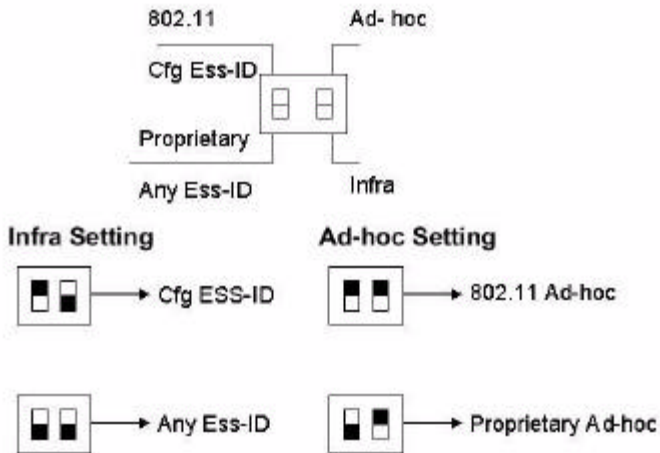
LED Name			Faulty Component
LPT1	LPT2	LPT3	
Off	off	on/steady	LPT3 error
Off	off	flashing	Parallel-3 Controller error
Off	on/steady	off	LPT2 error
Off	flashing	off	Parallel-2 Controller error
Off	flashing	flashing	Flash Protected
on/steady	off	off	LPT1 error
on/steady	off	on/steady	Timer INT error
on/steady	on/steady	off	RAM error
Flashing	off	off	Parallel-1 Controller error
Flashing	flashing	off	Flash erase/program error
Flashing	flashing	flashing	Need to reload firmware

Testing Your Print Server

The *PS Admin* software includes a Print Test function for confirmation of printer cable connections and functions. That operational test can be completed after you have installed the *PS Admin* software, and have configured your Print Server and its ports. See the *Testing Your Print Server* section of the *PS Admin User's Guide*.

DIP Switch Setting

Wireless DIP Switch



CONTACTING TECHNICAL SUPPORT

D-Link provides free technical support for customers within the United States.

U.S. customers can contact D-Link technical support through our web site, e-mail, or by phone.

United States technical support is available Monday through Friday from 6:00 a.m. to 6:00 p.m. (PST).

Web: <http://www.dlink.com>

Email: support@dlink.com

Phone: 949-788-0805 (option #4)

If you are a customer residing outside of the United States, please refer to the list of D-Link locations that is included in this manual.

Thank you for purchasing this product. We like to receive feedback from our customers concerning our products. Please take a moment to visit our web site. You can register your purchase on-line, learn more about the newest networking products, and let us know the things your new network has empowered you to do.



PRODUCT SPECIFICATIONS

Printer Connection

Standards: IEEE 1284 Bi-directional parallel interface

Ports: Bi-directional 25-pin parallel ports × 3

Parallel Port Bi-directional Communication: Hewlett-Packard PJJ (Printer Job Language) supported

Wireless Network Connection

Network Standards: Wireless LAN standard IEEE 802.11b

Network Data Transfer Rate: 11Mbps with fallback to 5.5Mbps, 2Mbps and 1Mbps.

Network Mode: Either Ad-hoc or Infrastructure mode.

Network Protocols

Transport Protocols: TCP/IP, NetBEUI, AppleTalk/EtherTalk

TCP/IP Protocols Supported: BOOTP, SNMP, Telnet, TFTP, FTP, LPD, RARP, DHCP

Management and Diagnostics

Standard: SNMP

MIBs: MIB-II (RFC 1213)

Diagnostic LED Indicators: Power, Link/Act, Wireless Quality
LPT1, LPT2, LPT3

Environmental and Physical

Power Supply: DC 5V 2.4A

Dimensions: 223.3mm × 131.7mm × 35mm

Weight: approx. 460g

Operating Temperature: 0 to 50°C

Storage Temperature: -25 to 55°C

Humidity: 5% to 95% non-condensing

Emissions: FCC Class A, CISPR 22 Class A, VCCI Class 1,

Safety: UL (UL 1950), CSA (CSA950), TUV/GS (EN60950)



PORT PINOUTS

This appendix shows the pinouts of the Print Server parallel port connector.

Parallel Ports

The following table lists the pinouts of the print server's 25-pin parallel port connector (identical to the connector used on most personal computers), as well as the 36-pin Centronics connector used on most printers.

Signal names beginning with *n* are active-low signals.

25-pin	Centronics	Signal	Source
1	1	nStrobe	Host
2	2	Data 1	Bi-directional
3	3	Data 2	Bi-directional
4	4	Data 3	Bi-directional
5	5	Data 4	Bi-directional
6	6	Data 5	Bi-directional
7	7	Data 6	Bi-directional
8	8	Data 7	Bi-directional
9	9	Data 8	Bi-directional
10	10	nAck	Printer
11	11	Busy	Printer
12	12	PError	Printer
13	13	Select	Printer
14	14	nAutoFd	Host
15	32	nFault	Printer

25-pin	Centronics	Signal	Source
16	31	nInIt	Host
17	36	nSelectIn	Host
18-25	16, 17, 19-30	Ground	

LIMITED WARRANTY

D-Link provides this limited warranty for its product only to the person or entity who originally purchased the product from D-Link or its authorized reseller or distributor.

Limited Hardware Warranty: D-Link warrants that the hardware portion of the D-Link products described below ("Hardware") will be free from material defects in workmanship and materials from the date of original retail purchase of the Hardware, for the period set forth below applicable to the product type ("Warranty Period") if the Hardware is used and serviced in accordance with applicable documentation; provided that a completed Registration Card is returned to an Authorized D-Link Service Office within ninety (90) days after the date of original retail purchase of the Hardware. If a completed Registration Card is not received by an authorized D-Link Service Office within such ninety (90) period, then the Warranty Period shall be ninety (90) days from the date of purchase.

<i>Product Type</i>	<i>Warranty Period</i>
Product (excluding power supplies and fans)	One (1) Year
Power Supplies and Fans	One (1) Year
Spare parts and spare kits	Ninety (90) days

D-Link's sole obligation shall be to repair or replace the defective Hardware at no charge to the original owner. Such repair or replacement will be rendered by D-Link at an Authorized D-Link Service Office. The replacement Hardware need not be new or of an identical make, model or part; D-Link may in its discretion may replace the defective Hardware (or any part thereof) with any reconditioned product that D-Link reasonably determines is substantially equivalent (or superior) in all material respects to the defective Hardware. The Warranty Period shall extend for an additional ninety (90) days after any repaired or replaced Hardware is delivered. If a material defect is incapable of correction, or if D-Link determines in its sole discretion that it is not practical to repair or replace the defective Hardware, the price paid by the original purchaser for the defective Hardware will be refunded by D-Link upon return to D-Link of the defective Hardware. All Hardware (or part thereof) that is replaced by D-Link, or for which the purchase price is refunded, shall become the property of D-Link upon replacement or refund.

Limited Software Warranty: D-Link warrants that the software portion of the product ("Software") will substantially conform to D-Link's then current functional specifications for the Software, as set forth in the applicable documentation, from the date of original delivery of the Software for a period of ninety (90) days ("Warranty Period"), if the Software is properly installed on approved hardware and operated as contemplated in its documentation. D-Link further warrants that, during the Warranty Period, the magnetic media on which D-Link delivers the Software will be free of physical defects. D-Link's sole obligation shall be to replace the non-conforming Software (or defective media) with software that substantially conforms to D-Link's functional specifications for the Software. Except as otherwise agreed by DLink in writing, the replacement Software is provided only to the original licensee, and is subject to the terms and conditions of the license granted by D-Link for the Software. The Warranty Period shall extend for an additional ninety (90) days after any replacement Software is delivered. If a material non-conformance is incapable of correction, or if D-Link determines in its sole discretion that it is not practical to replace the non-conforming Software, the price paid by the original licensee for the non-conforming Software will be refunded by D-Link; provided that the non-conforming Software (and all copies thereof) is first returned to D-Link. The license granted respecting any Software for which a refund is given automatically terminates.

What You Must Do For Warranty Service:

Registration Card. The Registration Card provided at the back of this manual must be completed and returned to an Authorized D-Link Service Office for each D-Link product within ninety (90) days after the product is purchased and/or licensed. The addresses/telephone/fax list of the nearest Authorized DLink Service Office is provided in the back of this manual. FAILURE TO PROPERLY COMPLETE AND TIMELY RETURN THE REGISTRATION CARD MAY AFFECT THE WARRANTY FOR THIS PRODUCT.

Submitting A Claim. Any claim under this limited warranty must be submitted in writing before the end of the Warranty Period to an Authorized DLink Service Office. The claim must include a written description of the Hardware defect or Software nonconformance in sufficient detail to allow DLink to confirm the same. The original product owner must obtain a Return Material Authorization (RMA) number from the Authorized D-Link Service Office and, if requested, provide written proof of purchase of the product (such as a copy of the dated purchase invoice for the product) before the warranty service is provided. After an RMA number is issued, the defective product must be packaged securely in the original or other suitable shipping package to ensure that it will not be damaged in transit, and the RMA number must be prominently marked on the outside of the package. The packaged product shall be insured and shipped to D-Link, 53 Discovery Drive, Irvine CA 92618, with all shipping costs prepaid. D-Link may reject or return any product that is not packaged and

shipped in strict compliance with the foregoing requirements, or for which an RMA number is not visible from the outside of the package. The product owner agrees to pay D-Link's reasonable handling and return shipping charges for any product that is not packaged and shipped in accordance with the foregoing requirements, or that is determined by D-Link not to be defective or non-conforming.

What Is Not Covered:

This limited warranty provided by D-Link does not cover:

Products that have been subjected to abuse, accident, alteration, modification, tampering, negligence, misuse, faulty installation, lack of reasonable care, repair or service in any way that is not contemplated in the documentation for the product, or if the model or serial number has been altered, tampered with, defaced or removed; Initial installation, installation and removal of the product for repair, and shipping costs; Operational adjustments covered in the operating manual for the product, and normal maintenance; Damage that occurs in shipment, due to act of God, failures due to power surge, and cosmetic damage; and Any hardware, software, firmware or other products or services provided by anyone other than D-Link.

Disclaimer of Other Warranties: EXCEPT FOR THE LIMITED WARRANTY SPECIFIED HEREIN, THE PRODUCT IS PROVIDED "AS-IS" WITHOUT ANY WARRANTY OF ANY KIND INCLUDING, WITHOUT LIMITATION, ANY WARRANTY OF MERCHANTABILITY, FITNESS FOR A PARTICULAR PURPOSE AND NON-INFRINGEMENT. IF ANY IMPLIED WARRANTY CANNOT BE DISCLAIMED IN ANY TERRITORY WHERE A PRODUCT IS SOLD, THE DURATION OF SUCH IMPLIED WARRANTY SHALL BE LIMITED TO NINETY (90) DAYS. EXCEPT AS EXPRESSLY COVERED UNDER THE LIMITED WARRANTY PROVIDED HEREIN, THE ENTIRE RISK AS TO THE QUALITY, SELECTION AND PERFORMANCE OF THE PRODUCT IS WITH THE PURCHASER OF THE PRODUCT.

Limitation of Liability: TO THE MAXIMUM EXTENT PERMITTED BY LAW, D-LINK IS NOT LIABLE UNDER ANY CONTRACT, NEGLIGENCE, STRICT LIABILITY OR OTHER LEGAL OR EQUITABLE THEORY FOR ANY LOSS OF USE OF THE PRODUCT, INCONVENIENCE OR DAMAGES OF ANY CHARACTER, WHETHER DIRECT, SPECIAL, INCIDENTAL OR CONSEQUENTIAL (INCLUDING, BUT NOT LIMITED TO, DAMAGES FOR LOSS OF GOODWILL, WORK STOPPAGE, COMPUTER FAILURE OR MALFUNCTION, LOSS OF INFORMATION OR DATA CONTAINED IN, STORED ON, OR INTEGRATED WITH ANY PRODUCT RETURNED TO D-LINK FOR WARRANTY SERVICE) RESULTING FROM THE USE OF THE PRODUCT, RELATING TO WARRANTY SERVICE, OR ARISING OUT OF ANY BREACH OF THIS LIMITED WARRANTY, EVEN IF D-LINK HAS BEEN ADVISED OF THE POSSIBILITY OF SUCH DAMAGES. THE SOLE REMEDY FOR A BREACH OF THE FOREGOING LIMITED WARRANTY IS REPAIR,

REPLACEMENT OR REFUND OF THE DEFECTIVE OR NON-CONFORMING PRODUCT.

Trademarks

Copyright ©1999 D-Link Corporation. Contents subject to change without prior notice. D-Link is a registered trademark of D-Link Corporation/D-Link Systems, Inc. All other trademarks belong to their respective proprietors.

Copyright Statement

No part of this publication may be reproduced in any form or by any means or used to make any derivative such as translation, transformation, or adaptation without permission from D-Link Corporation/D-Link Systems Inc., as stipulated by the United States Copyright Act of 1976.

D-LINK OFFICES

- AUSTRALIA**
D-LINK AUSTRALASIA
Unit 16, 390 Eastern Valley Way, Roseville, NSW 2069, Australia
TEL: 61-2-9417-7100 FAX: 61-2-9417-1077
TOLL FREE: 1800-177-100 (Australia), 0800-900900 (New Zealand)
URL: www.dlink.com.au E-MAIL: support@dlink.com.au info@dlink.com.au
- CANADA**
D-LINK CANADA
2180 Winston Park Drive, Oakville, Ontario L6H 5W1 Canada
TEL: 1-905-829-5033 FAX: 1-905-829-5095 BBS: 1-965-279-8732 FREE CALL: 1-800-354-6522
URL: www.dlink.ca E-MAIL: techsup@dlink.ca
- CHILE**
D-LINK SOUTH AMERICA
Isidora Goyenechea #2934 of 702, Las Condes, Santiago, Chile
TEL: 56-2-232-3185 FAX: 56-2-2320923 URL: www.dlink.cl
- CHINA**
D-LINK CHINA
2F, Sigma Building, 49 Zhichun Road, Haidian District, 100080 Beijing, China
TEL: 86-10-88097777 FAX: 86-10-88096789
URL: www.dlink.com.cn
- DENMARK**
D-LINK DENMARK
Naverland 2, DK-2600 Glostrup, Copenhagen, Denmark
TEL: 45-43-969040 FAX: 45-43-424347 URL: www.dlink.dk
E-MAIL: info@dlink.dk
- EGYPT**
D-LINK MIDDLE EAST
7 Assem Ebn Sabet Street, Heliopolis Cairo, Egypt
TEL: 202-2456176 FAX: 202-2456192 URL: www.dlink-me.com
E-MAIL: support@dlink-me.com
- FRANCE**
D-LINK FRANCE
Le Florilège #2, Allée de la Fresnerie
78330 Fontenay Le Fleury France
TEL: 33-1-30238688 FAX: 33-1-3023-8689 URL: www.dlink-france.fr
E-MAIL: info@dlink-france.fr
- GERMANY**
D-LINK GERMANY
D-Link Central Europe / D-Link
Deutschland GmbH
Schwalbacher Stra_ e 74
65760 Eschborn
TEL: ++49-6196/7799-0 FAX: ++49-6196/7799-300
- INDIA**
D-LINK INDIA
Plot No.5, Kurla-Bandra Complex Road,
Off Cst Road, Santacruz (E), Bombay - 400 098 India
TEL: 91-22-652-6696 FAX: 91-22-652-8914 URL: www.dlink-india.com
E-MAIL: service@dlink.india.com
- ITALY**
D-LINK ITALIA
Via Nino Bonnet No. 6/b, 20154 Milano, Italy
TEL: 39-02-2900-0676 FAX: 39-02-2900-1723 URL: www.dlink.it
E-MAIL: info@dlink.it
- JAPAN**
D-LINK JAPAN
10F, 8-8-15 Nishi-Gotanda, Shinagawa-ku, Tokyo 141 Japan
TEL: 81-3-5434-9678 FAX: 81-3-5434-9868 URL: www.dlink.co.jp
- RUSSIA**
D-LINK RUSSIA
Michurinski Prospekt 49, 117607 Moscow, Russia
TEL: 7-095-737-3389, 7-095-737-3492 FAX: 7-095-737-3390
- SINGAPORE**
D-LINK INTERNATIONAL
1 International Business Park, #03-12 The Synergy, Singapore 609917
TEL: 65-774-6233 FAX: 65-774-6322
URL: www.dlink-intl.com E-MAIL: info@dlink.com.sg
- S. AFRICA**
D-LINK SOUTH AFRICA
Unit 2, Parkside 86 Oak Avenue
Highveld Technopark Centurion, Gauteng, Republic of South Africa
TEL: 27(0)126652165 FAX: 27(0)126652186
- SWEDEN**
D-LINK SWEDEN
P.O. Box 15036, S-167 15 Bromma Sweden
TEL: 46-(0)8564-61900 FAX: 46-(0)8564-61901 E-MAIL: info@dlink.se
URL: www.dlink.se
- TAIWAN**
D-LINK TAIWAN
2F, No. 319 Pao-Chung Road, Hsin-Tien, Taipei, Taiwan, **R.O.C.**
TEL: 886-2-2910-2626 FAX: 886-2-2910-1515 URL: www.dlinktw.com.tw
- U.K.**
D-LINK EUROPE
4th Floor, Merit House, Edgware Road, Colindale, London, NW9 5AB, U.K.
TEL: 44-20-8731-5555 FAX: 44-20-8731-5511
URL: www.dlink.co.uk E-MAIL: info@dlink.co.uk
- U.S.A.**
D-LINK U.S.A.
53 Discovery Drive, Irvine, CA 92618 USA
TEL: 1-949-788-0805 FAX: 1-949-753-7033 INFO LINE: 1-800-326-1688
BBS: 1-949-455-1779, 1-949-455-9616
URL: www.dlink.com E-MAIL: tech@dlink.com, support@dlink.com

Register by mail or online at <http://www.dlink.com/sales/reg/>

REGISTRATION CARD

Print, type or use block letters.

Your name: Mr./Ms _____
Organization: _____ Dept. _____
Your title at organization: _____
Telephone: _____ Fax: _____
Organization's full address: _____
Country: _____
Date of purchase (Month/Day/Year): _____

Product Model	Product Serial No.	* Product installed in type of computer (e.g., Compaq 486)	* Product installed in computer serial No.

(* Applies to adapters only)

Product was purchased from:

Reseller's name: _____
Telephone: _____ Fax: _____
Reseller's full address: _____

Answers to the following questions help us to support your product:

- Where and how will the product primarily be used?**
Home Office Travel Company Business Home Business Personal Use
- How many employees work at installation site?**
1 employee 2-9 10-49 50-99 100-499 500-999 1000 or more
- What network protocol(s) does your organization use?**
XNS/IPX TCP/IP DECnet Others _____
- What network operating system(s) does your organization use?**
D-Link LANsmart Novell NetWare NetWare Lite SCO Unix/Xenix PC NFS 3Com 3+Open
Banyan Vines DECnet Pathwork Windows NT Windows NTAS Windows '95
Others _____
- What network management program does your organization use?**
D-View HP OpenView/Windows HP OpenView/Unix SunNet Manager Novell NMS
NetView 6000 Others _____
- What network medium/media does your organization use ?**
Fiber-optics Thick coax Ethernet Thin coax Ethernet 10BASE-T UTP/STP
100BASE-TX 100BASE-T4 100VGAnyLAN Others _____
- What applications are used on your network?**
Desktop publishing Spreadsheet Word processing CAD/CAM
Database management Accounting Others _____
- What category best describes your company?**
Aerospace Engineering Education Finance Hospital Legal Insurance/Real Estate Manufacturing
Retail/Chainstore/Wholesale Government Transportation/Utilities/Communication VAR
System house/company Other _____
- Would you recommend your D-Link product to a friend?**
Yes No Don't know yet
- Your comments regarding this product?**



TO: _____

D-Link®