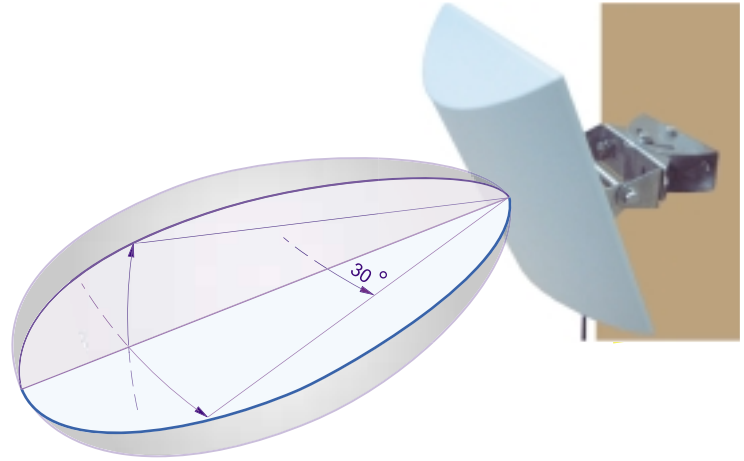


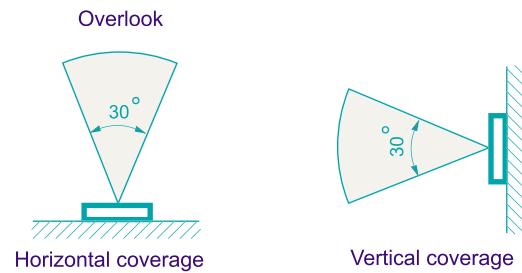
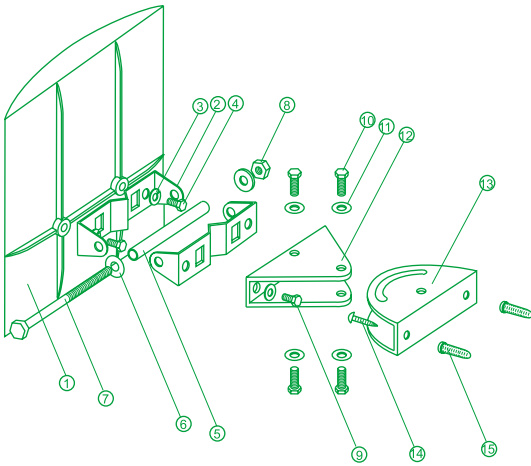
9

D-Link ANT24-1400 Outdoor Directional Panel Antenna

Remove one default antenna from the wireless device and start to assemble!



Wall mount



Installation Note:

Required parts for wall mounting:

1. ANT-1400 antenna body with 2 screw holes
2. M-shaped metal fixing
3. spring washers 8mm
4. bolts M8 x 12
5. steel tubes
6. 8mm washer
7. bolt M8 x 110
8. nut M8 with lock washer
9. bolts M8 x16 with lock washer, washers and nuts
10. bolts M6 x10 with washers
11. 6mm washers
12. triangular stand
13. half-round metal stand
14. wall screws
15. plastic wall anchor

Frequency band	2400-2500 MHz
Antenna gain	14 dBi
VSWR	1.5 max
Polarization	Linear vertical
HPBW / H-plane	30°
HPBW / E-plane	30°
Impedence	50 Ohms
Dimensions LxWxH	240x240x69 mm
Weight	825g without joint

Package Contents:

- ANT24-1400 Antenna
- Extension Cable (50cm)
- Mounting Kit
- Surge protector
- Water-proof tape
- Quick Installation Guide

9

D-Link ANT24-1400 Outdoor Directional Panel Antenna

